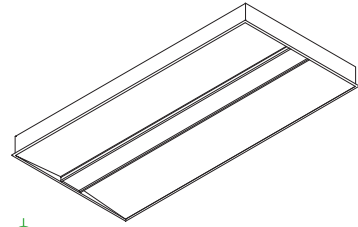
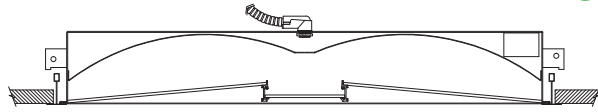




Type
Project



ARPS



### APPLICATIONS

The Architectural Recessed Series ARPS is designed to deliver soft aesthetics and high luminaire efficiency. The low profile body has several lens and louver options to provide excellent control of high angle brightness and features efficient lens transmission. Open office applications can average 1.0 watts per square foot. Depending on lamping and optical selections, the luminaire efficiency exceeds 85%.

### CONSTRUCTION

Precision formed 20 gauge CRS body. The rigid body design is compatible with all suspended ceiling systems. The standard side panels are P95 .125", opal acrylic and other options are available; see Accessories section.

### FINISH

The ARPS Series standard paint finish is a polyester powder coat is applied after a five stage rust inhibitive process. Matte white is the standard color with a reflectivity of 90%. For optional colors or materials please see Accessories section or Apollo Lighting's Luminous Series.

All steel parts are covered by Apollo Lighting's 10 Year Limited Warranty. Refer to Warranty Section for details.

### ELECTRICAL

High efficiency electronic ballasts are standard. A wide range of dimming, daylight harvesting, automated building controls, occupancy controls and emergency systems can be specified to meet today's energy code requirements. Refer to Ordering Information Options.

UL required power disconnects are provided for all ballasts. All Apollo Lighting fixtures are UL Listed.

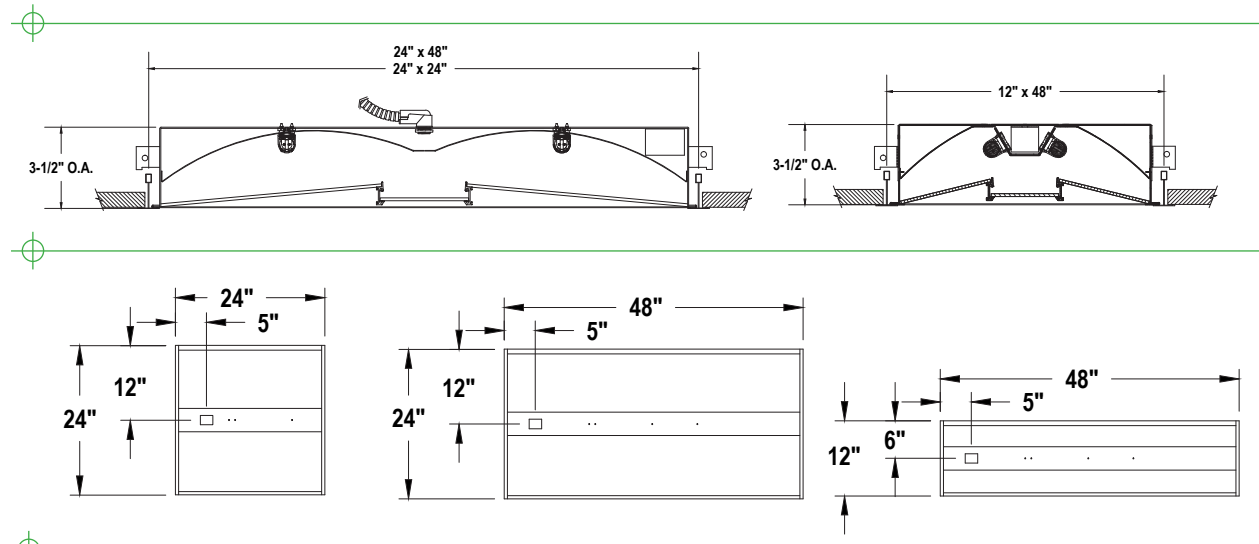


## ORDERING INFORMATION

Series	Size	Lamps	Type	Shielding	Mounting	Voltage	Options
ARPS							
ARPS	1 (1X4)	2	T8	LP	G	1	F
	2 (2X2)	3	T5	Linear Prismatic	9/16" Grid	(120v)	Fuse
	4 (2X4)	4	T5HO	PL	F	U	EM
			BIAx	Parabolic Louver	Sheetrock Flange	Universal	Emergency
				SBL	SG	(120-277v)	Ballast
				Semi-specular	Slot Grid	2	HR
				Parabolic Louver		(277v)	Heat Removal
				BB		<b>Dimming and</b>	
				Bold Baffle		<b>Controls; see</b>	
						<b>accessories.</b>	



Type
Project



## PHOTOMETRIC REPORT ARPS-4-2T5HO

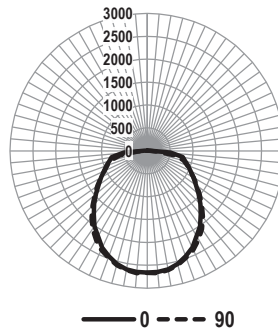
### COEFFICIENTS OF UTILIZATION

RC	80				70				50				30				10				0
RW	70	50	30	10	70	50	30	10	50	30	10	50	30	10	50	30	10	50	30	10	0
0	.97	.97	.97	.97	.94	.94	.94	.94	.90	.90	.90	.86	.86	.86	.83	.83	.83	.83	.83	.83	.81
1	.87	.82	.78	.75	.84	.80	.77	.73	.77	.74	.71	.74	.71	.69	.71	.69	.67	.65			
2	.78	.71	.65	.59	.76	.69	.64	.59	.66	.61	.57	.64	.60	.56	.61	.58	.55	.53			
3	.71	.62	.55	.49	.69	.60	.54	.48	.58	.52	.48	.56	.51	.47	.54	.49	.46	.44			
4	.65	.55	.47	.41	.63	.53	.46	.41	.51	.45	.40	.49	.44	.40	.48	.43	.39	.37			
5	.60	.49	.41	.35	.58	.48	.41	.35	.46	.40	.35	.44	.39	.34	.43	.38	.34	.32			
6	.55	.44	.36	.31	.53	.43	.36	.31	.42	.35	.30	.40	.34	.30	.39	.34	.30	.28			
7	.51	.40	.32	.27	.50	.39	.32	.27	.38	.31	.27	.37	.31	.27	.35	.30	.26	.25			
8	.48	.36	.29	.24	.46	.36	.29	.24	.35	.28	.24	.34	.28	.24	.33	.28	.24	.22			
9	.44	.33	.26	.22	.43	.33	.26	.22	.32	.26	.22	.31	.25	.22	.30	.25	.21	.20			
10	.42	.31	.24	.20	.41	.30	.24	.20	.29	.24	.20	.29	.23	.20	.28	.23	.19	.18			

### ZONAL LUMEN SUMMARY

Spacing Criteria 0-180:	1.22		
Spacing Criteria 90-270:	1.26		
<b>ZONE</b>	<b>LUMENS</b>	<b>% LAMP</b>	<b>% FIXT</b>
0-30	2058.21	20.6%	25.4%
0-40	3335.73	33.4%	41.1%
0-60	5813.31	58.1%	71.7%
0-90	8106.87	81.1%	100.0%
90-120	0.00	0.0%	0.0%
90-130	0.00	0.0%	0.0%
90-150	0.00	0.0%	0.0%
90-180	0.00	0.0%	0.0%
0-180	8106.87	81.1%	100.0%
<b>Total Luminaire Efficiency = 81.10%</b>			

### POLAR GRAPH



**Note:** Apollo Lighting reserves the right to make any design change for continuous improvement which will not change the overall appearance or decrease performance. All ceilings are to be adequately reinforced by others. All fixtures are to be wired by a licensed electrician only. The information contained herein is the sole property of Apollo Lighting and may not be used without prior written consent.



**APOLLO LIGHTING** creative lighting solutions since 1950  
 212 S. 12th Avenue • Mount Vernon, NY 10550  
 1-866-300-1294 • Phone: 914.664.3600 • Fax: 914.664.6091  
 info@apollolighting.net • www.apollolighting.net

