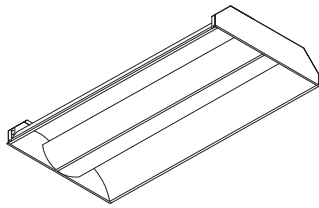
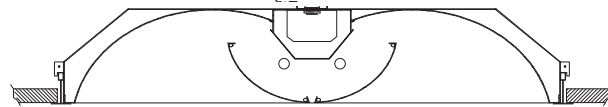




Type
Project



ARLE



Now available in LED!

APPLICATIONS

The Architectural Luminous Series ARLE, is designed for open spaces and individual spaces as an energy efficient general illumination luminaire with a VCP average of 90%. The opal acrylic diffusers deliver soft even light for offices, schools, retail, healthcare and other open space designs. Office applications yield 1.0 watts per square feet or less with a minimum luminaire efficiency of 80%.

CONSTRUCTION

Precision formed 20 gauge CRS body. The rigid body design is compatible with all suspended ceiling systems. The illuminated basket is made from a heavy gauge opal acrylic for durability and ease of maintenance. Other lens options are available; see Accessories Section.

FINISH

The ARLE Series standard paint finish is a polyester powder coat and is applied after a five stage rust inhibitive process. Matte white is the standard color with a reflectivity of 90%. Refer to Accessories Section for optional colors or materials.

All steel parts are covered by Apollo Lighting's 10 Year Limited Warranty. Refer to Warranty Section for details.

ELECTRICAL

High efficiency electronic ballasts are standard. A wide range of dimming, daylight harvesting, automated building controls, occupancy controls and emergency systems can be specified to meet today's energy code requirements. Refer to Ordering Information Options.

UL required power disconnects are provided for all ballasts. All Apollo Lighting fixtures are UL Listed.

ORDERING INFORMATION

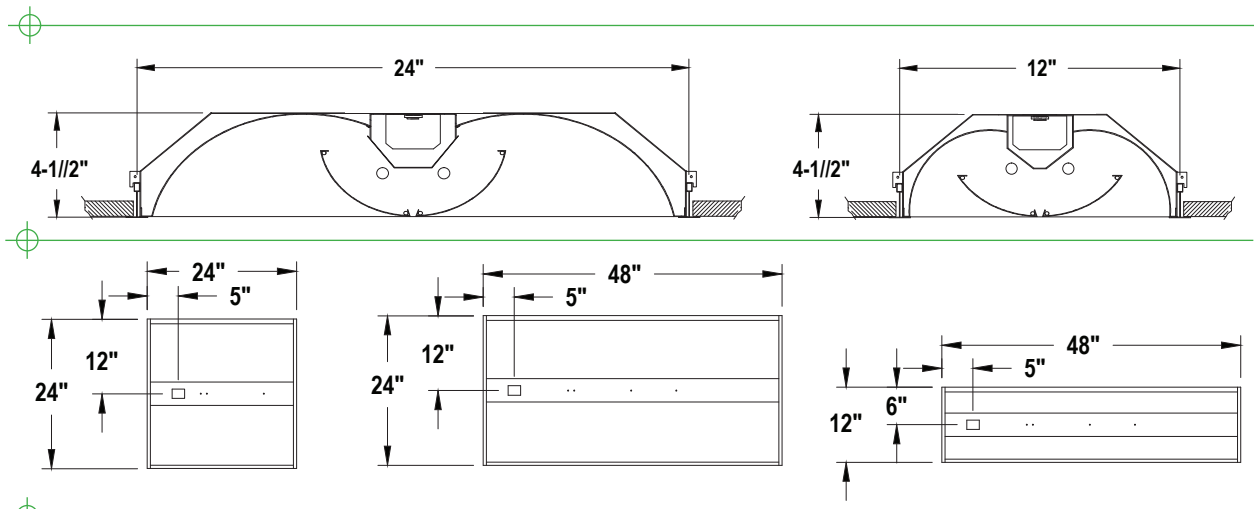
Series	Size	Lamps	Type	Shielding	Mounting	Voltage	Options
ARLE							
ARLE	1 (1X4)	1	T8	OL	G	1	F
	2 (2X2)	2	T5	High Transmission	9/16" Grid	(120v)	Fuse
	4 (2X4)	3	T5HO	Opal Acrylic	F	U	EM
			BIAx	CL	Sheetrock Flange	Universal	Emergency Ballast
				Custom Lens	SG	(120-277v)	HR
				See Accessories	Slot Grid	2	Heat Removal
					Other Ceilings	(277v)	
					Consult Factory	Dimming and Controls; see Accessories.	

APOLLO LIGHTING creative lighting solutions since 1950
 212 S. 12th Avenue • Mount Vernon, NY 10550
 1-866-300-1294 • Phone: 914.664.3600 • Fax: 914.664.6091
 info@apollolighting.net • www.apollolighting.net

Now available in LED!

ARLE

Type
Project



PHOTOMETRIC REPORT ARLE2x2T5HO

COEFFICIENTS OF UTILIZATION

RC	80				70				50				30				10				0	
	70	50	30	0	70	50	30	0	50	30	20	50	30	20	50	30	20	50	30	20		0
0	1.05	1.05	1.05	1.05	1.02	1.02	1.02	.88	.98	.98	.98	.93	.93	.93	.90	.90	.90	.88				
1	.93	.88	.84	.79	.91	.86	.82	.70	.82	.79	.76	.79	.76	.73	.75	.73	.71	.69				
2	.84	.75	.69	.63	.81	.74	.67	.57	.71	.65	.60	.68	.63	.59	.65	.61	.58	.56				
3	.76	.66	.57	.51	.74	.64	.57	.47	.61	.55	.50	.59	.53	.49	.56	.52	.48	.46				
4	.69	.58	.49	.43	.67	.56	.48	.40	.54	.47	.42	.52	.46	.41	.50	.45	.40	.38				
5	.63	.51	.43	.36	.61	.50	.42	.35	.48	.41	.36	.46	.40	.35	.45	.39	.35	.33				
6	.58	.46	.37	.31	.57	.45	.37	.30	.43	.36	.31	.42	.35	.31	.40	.35	.30	.28				
7	.54	.41	.33	.28	.49	.37	.30	.24	.39	.32	.27	.38	.32	.27	.37	.31	.27	.25				
8	.50	.38	.30	.24	.49	.37	.30	.24	.36	.29	.24	.35	.29	.24	.34	.28	.24	.22				
9	.47	.35	.27	.22	.46	.34	.27	.21	.33	.26	.22	.32	.26	.22	.31	.26	.21	.20				
10	.44	.32	.25	.20	.43	.31	.24	.19	.30	.24	.20	.30	.24	.20	.29	.23	.19	.18				

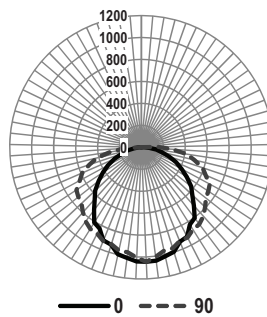
ZONAL LUMEN SUMMARY

Spacing Criteria 0-180: N.A.
Spacing Criteria 90-270: N.A.

ZONE	LUMENS	% LAMP	% FIXT
0-30	792.40	19.8%	22.5%
0-40	1314.30	32.9%	37.4%
0-60	2428.10	60.7%	69.1%
0-90	1086.80	27.2%	30.9%
90-120	3514.90	87.9%	100.0%
90-180	0.00	0.0%	0.0%
0-180	3514.90	87.9%	100.0%

Total Luminaire Efficiency = 87.9%

POLAR GRAPH



Note: Apollo Lighting reserves the right to make any design change for continuous improvement which will not change the overall appearance or decrease performance. All ceilings are to be adequately reinforced by others. All fixtures are to be wired by a licensed electrician only. The information contained herein is the sole property of Apollo Lighting and may not be used without prior written consent.



APOLLO LIGHTING creative lighting solutions since 1950
 212 S. 12th Avenue • Mount Vernon, NY 10550
 1-866-300-1294 • Phone: 914.664.3600 • Fax: 914.664.6091
 info@apollolighting.net • www.apollolighting.net



Now available in LED!