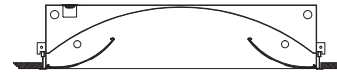


Type
Project



ARIS



APPLICATIONS

The Architectural Recessed Series ARIS is designed for open spaces and individual spaces as an energy efficient general illumination luminaire with a VCP average of 90%. The perforated steel diffusers deliver soft even light for offices, schools, retail, healthcare and other open space designs. Office applications yield 1.0 watts per square feet or less with an average luminaire efficiency of 72%. A high efficiency version of this fixture is available in the Apollo Luminous Series.

CONSTRUCTION

Precision formed 20 gauge CRS body. The rigid body design is compatible with all suspended ceiling systems. The perforated steel panels are constructed of 20 gauge CRS for durability and long life cycle and have a high transmission opal acrylic overlay standard.

FINISH

The ARIS Series standard paint finish is a polyester powder coat and is applied after a five stage rust inhibitive process. Matte White is the standard color with a reflectivity of 90%. Refer to Accessories Section for optional colors or materials.

All steel parts are covered by Apollo Lighting's 10 Year Limited Warranty. Refer to Warranty Section for details.

ELECTRICAL

High efficiency electronic ballasts are standard. A wide range of dimming, daylight harvesting, automated building controls, occupancy controls and emergency systems can be specified to meet today's energy code requirements. Refer to Ordering Information Options.

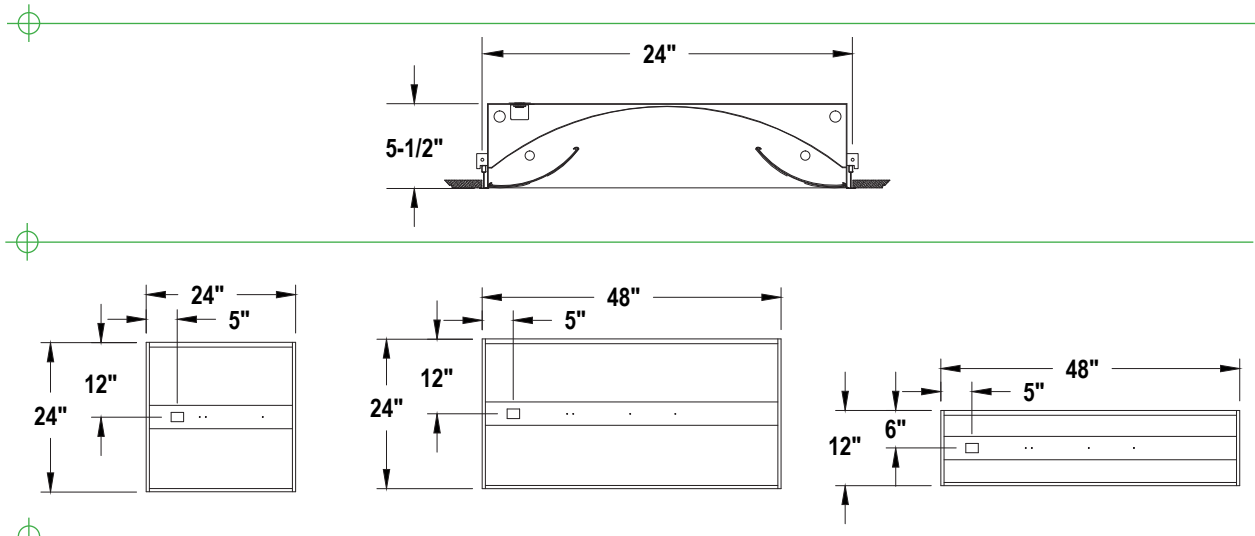
UL required power disconnects are provided for all ballasts. All Apollo Lighting fixtures are UL Listed.

ORDERING INFORMATION

Series	Size	Lamps	Type	Shielding	Mounting	Voltage	Options
ARIS							
ARIS	1 (1X4)	2	T8	P	G	1	F
	2 (2X2)	4	T5	Perforated	9/16" Grid	(120v)	Fuse
	4 (2X4)		T5HO	Side Baskets	F	(Universal)	EM
			BIAx		Sheetrock Flange	2	Emergency Ballast
					SG	(277v)	HR
					Slot Grid		Heat Removal
					Other Mounting	Dimming and	
					Options; consult	Controls; see	
					Factory	Accessories	



Type
Project



COEFFICIENTS OF UTILIZATION

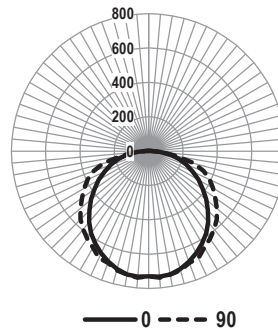
RC	80				70				50				30				10				0			
RW	70	50	30	10	70	50	30	10	70	50	30	10	70	50	30	10	70	50	30	10	70	50	30	10
0	.71	.71	.71	.71	.69	.69	.69	.69	.66	.66	.66	.63	.63	.63	.61	.61	.61	.61	.60	.60	.60	.60	.60	
1	.64	.61	.58	.56	.62	.60	.57	.55	.57	.55	.53	.55	.53	.51	.52	.51	.50	.48	.48	.48	.48	.48	.48	
2	.58	.53	.48	.44	.56	.51	.47	.44	.49	.46	.43	.47	.44	.42	.45	.43	.41	.39	.39	.39	.39	.39	.39	
3	.52	.46	.41	.36	.51	.45	.40	.36	.43	.39	.35	.41	.38	.35	.40	.37	.34	.33	.33	.33	.33	.33	.33	
4	.48	.40	.35	.30	.46	.39	.34	.30	.38	.33	.30	.37	.33	.29	.35	.32	.29	.28	.28	.28	.28	.28	.28	
5	.44	.36	.30	.26	.43	.35	.30	.26	.34	.29	.26	.33	.29	.25	.32	.28	.25	.24	.24	.24	.24	.24	.24	
6	.40	.32	.27	.23	.39	.32	.26	.22	.30	.26	.22	.29	.25	.22	.28	.25	.22	.21	.21	.21	.21	.21	.21	
7	.37	.29	.24	.20	.36	.29	.23	.20	.28	.23	.20	.27	.23	.19	.26	.22	.19	.18	.18	.18	.18	.18	.18	
8	.35	.27	.21	.18	.34	.26	.21	.18	.25	.21	.17	.25	.20	.17	.24	.20	.17	.16	.16	.16	.16	.16	.16	
9	.33	.24	.19	.16	.32	.24	.19	.16	.23	.19	.16	.23	.19	.16	.22	.18	.16	.14	.14	.14	.14	.14	.14	
10	.30	.22	.18	.14	.30	.22	.17	.14	.21	.17	.14	.21	.17	.14	.20	.17	.14	.13	.13	.13	.13	.13	.13	

PHOTOMETRIC REPORT ARIS-2-2T5

ZONAL LUMEN SUMMARY

Spacing Criteria 0-180:	1.28		
Spacing Criteria 90-270:	1.34		
ZONE	LUMENS	% LAMP	% FIXT
0-30	580.94	14.5%	24.4%
0-40	958.21	24.0%	40.2%
0-60	1748.38	43.7%	73.3%
0-90	2384.73	59.6%	100.0%
90-120	0.00	0.0%	0.0%
90-130	0.00	0.0%	0.0%
90-150	0.00	0.0%	0.0%
90-180	0.00	0.0%	0.0%
0-180	2384.73	59.6%	100.0%
Total Luminaire Efficiency = 59.60%			

POLAR GRAPH



Note: Apollo Lighting reserves the right to make any design change for continuous improvement which will not change the overall appearance or decrease performance. All ceilings are to be adequately reinforced by others. All fixtures are to be wired by a licensed electrician only. The information contained herein is the sole property of Apollo Lighting and may not be used without prior written consent.



APOLLO LIGHTING creative lighting solutions since 1950
 212 S. 12th Avenue • Mount Vernon, NY 10550
 1-866-300-1294 • Phone: 914.664.3600 • Fax: 914.664.6091
 info@apollolighting.net • www.apollolighting.net

