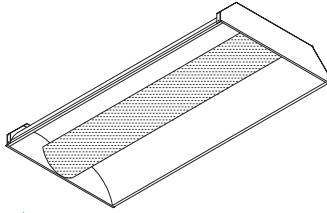
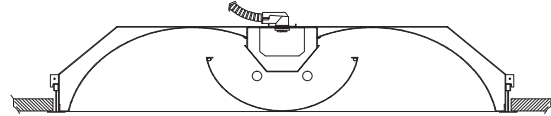




Type
Project



ARIP



APPLICATIONS

The Architectural Recessed Series ARIP luminaire is designed for open spaces and individual spaces as a general illumination luminaire with an average VCP of 90%. The low profile body features a perforated steel diffuser that delivers soft even light for offices, schools, retail, healthcare and other open space designs. Office applications yield 1.0 watts per square feet or less with luminaire efficiency of 60% or greater. A high efficiency version of this fixture, the ARLP is available in the Apollo Lighting Luminous Series.

CONSTRUCTION

Precision formed 20 gauge CRS body. The rigid body design is compatible with all suspended ceiling systems. The perforated steel panels are constructed of 20 gauge CRS for durability and long life cycle and have an opal overlay standard.

FINISH

The ARIP Series standard paint finish is a polyester powder coat is applied after a five stage rust inhibitive process. Matte white is the standard color with a reflectivity of 90%. For optional colors or materials please see Accessories section or Apollo's Luminous Series

All steel parts are covered by Apollo Lighting's 10 Year Limited Warranty. Refer to Warranty Section for details.

ELECTRICAL

High efficiency electronic ballasts are standard. A wide range of dimming, daylight harvesting, automated building controls, occupancy controls and emergency systems can be specified to meet today's energy code requirements. Refer to Ordering Information Options.

UL required power disconnects are provided for all ballasts. All Apollo Lighting fixtures are UL Listed.

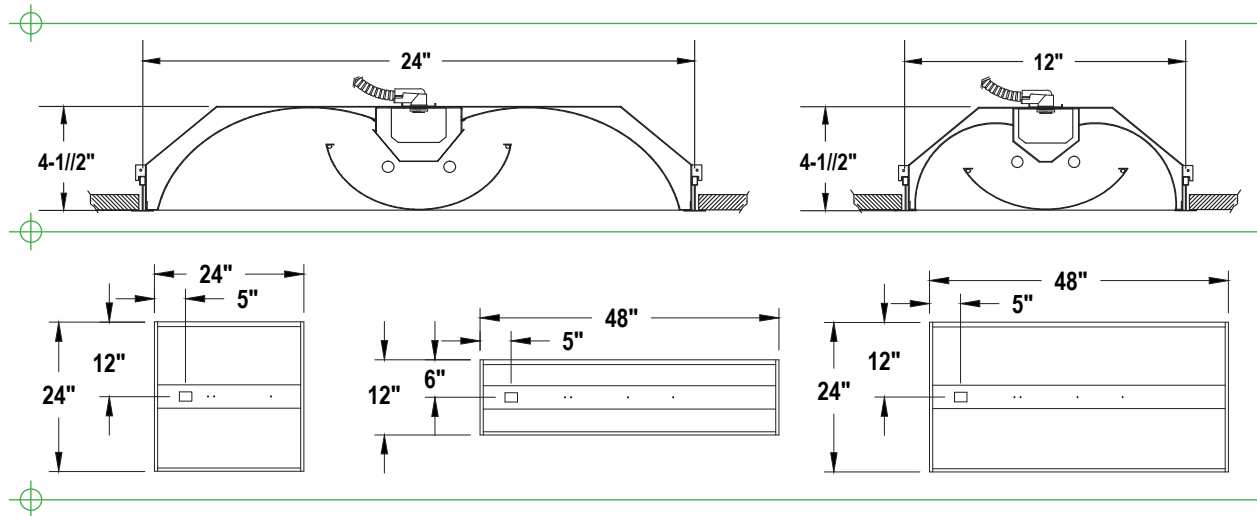


ORDERING INFORMATION

Series	Size	Lamps	Type	Shielding	Mounting	Voltage	Options
ARIP							
ARIP	1 (1X4) 2 (2X2) 4 (2X4)	1 2 3	T8 T5 T5HO BIAX	P Perforated Basket See Luminous Series for additional Shielding Options.	G 9/16" Grid F Sheetrock Flange Other Ceilings Consult Factory.	1 (120v) U Universal (120-277v) 2 (277v) Dimming and Controls; see Accessories.	F Fuse EM Emergency Ballast HR Heat Removal



Type
Project



PHOTOMETRIC REPORT ARIP-4-2T5HO

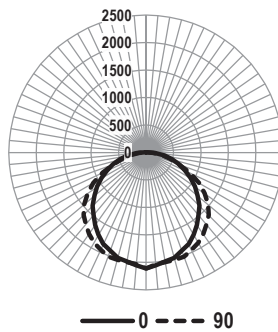
COEFFICIENTS OF UTILIZATION

RC	80				70				50				30				10				0
RW	70	50	30	10	70	50	30	10	50	30	10	50	30	10	50	30	10	50	30	10	0
0	.77	.77	.77	.77	.75	.75	.75	.75	.72	.72	.72	.69	.69	.69	.66	.66	.66	.66	.66	.66	.65
1	.70	.67	.64	.61	.68	.65	.63	.60	.62	.60	.58	.60	.58	.56	.58	.56	.55	.53			.53
2	.63	.58	.53	.49	.62	.57	.52	.49	.54	.51	.48	.52	.49	.46	.50	.48	.45	.44			.44
3	.58	.50	.45	.41	.56	.49	.44	.40	.47	.43	.40	.46	.42	.39	.44	.41	.38	.37			.37
4	.53	.45	.39	.34	.51	.44	.38	.34	.42	.37	.33	.40	.36	.33	.39	.35	.33	.31			.31
5	.48	.40	.34	.29	.47	.39	.33	.29	.38	.33	.29	.36	.32	.28	.35	.31	.28	.27			.27
6	.44	.36	.30	.25	.43	.35	.29	.25	.34	.29	.25	.33	.28	.25	.32	.28	.25	.23			.23
7	.41	.32	.26	.22	.40	.32	.26	.22	.31	.26	.22	.30	.25	.22	.29	.25	.22	.20			.20
8	.38	.29	.24	.20	.37	.29	.24	.20	.28	.23	.20	.27	.23	.20	.26	.22	.19	.18			.18
9	.36	.27	.21	.18	.35	.26	.21	.18	.26	.21	.18	.25	.21	.18	.24	.20	.17	.16			.16
10	.33	.25	.20	.16	.33	.24	.19	.16	.24	.19	.16	.23	.19	.16	.23	.19	.16	.15			.15

ZONAL LUMEN SUMMARY

Spacing Criteria 0-180:	1.24		
Spacing Criteria 90-270:	1.34		
ZONE	LUMENS	% LAMP	% FIXT
0-30	1634.77	16.3%	25.3%
0-40	2713.14	27.1%	42.0%
0-60	4949.61	49.5%	76.6%
0-90	6461.01	64.6%	100.0%
90-120	0.00	0.0%	0.0%
90-130	0.00	0.0%	0.0%
90-150	0.00	0.0%	0.0%
90-180	0.00	0.0%	0.0%
0-180	6461.01	64.6%	100.0%
Total Luminaire Efficiency = 64.60%			

POLAR GRAPH



Note: Apollo Lighting reserves the right to make any design change for continuous improvement which will not change the overall appearance or decrease performance. All ceilings are to be adequately reinforced by others. All fixtures are to be wired by a licensed electrician only. The information contained herein is the sole property of Apollo Lighting and may not be used without prior written consent.



APOLLO LIGHTING creative lighting solutions since 1950
 212 S. 12th Avenue • Mount Vernon, NY 10550
 1-866-300-1294 • Phone: 914.664.3600 • Fax: 914.664.6091
 info@apollolighting.net • www.apollolighting.net

