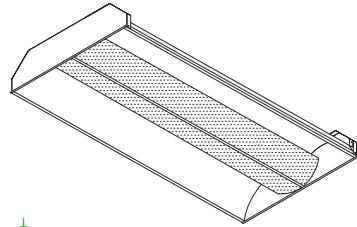
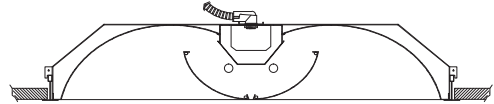




Type
Project



ARIE



## APPLICATIONS

The Architectural Recessed Series ARIE is designed for open spaces and individual spaces as an energy efficient general illumination luminaire with a VCP average of 90%. The perforated steel diffusers deliver soft even light for offices, schools, retail, healthcare and other open space designs. Office applications yield 1.0 watts per square feet or less with an average luminaire efficiency of 72%. A high efficiency version of this fixture, the ARIE is available in the Apollo Lighting Luminous Series.

## CONSTRUCTION

Precision formed 20 gauge CRS body. The rigid body design is compatible with all suspended ceiling systems. The perforated steel panels are constructed of 20 gauge CRS for durability and long life cycle and have an opal overlay standard.

## FINISH

The ARIE Series standard paint finish is a polyester powder coat is applied after a five stage rust inhibitive process. Matte white is standard with a reflectivity of 90%. For optional colors or materials please see Accessories section or Apollo Lighting's Luminous Series.

All steel parts are covered by Apollo Lighting's 10 Year Limited Warranty. Refer to Warranty Section for details.

## ELECTRICAL

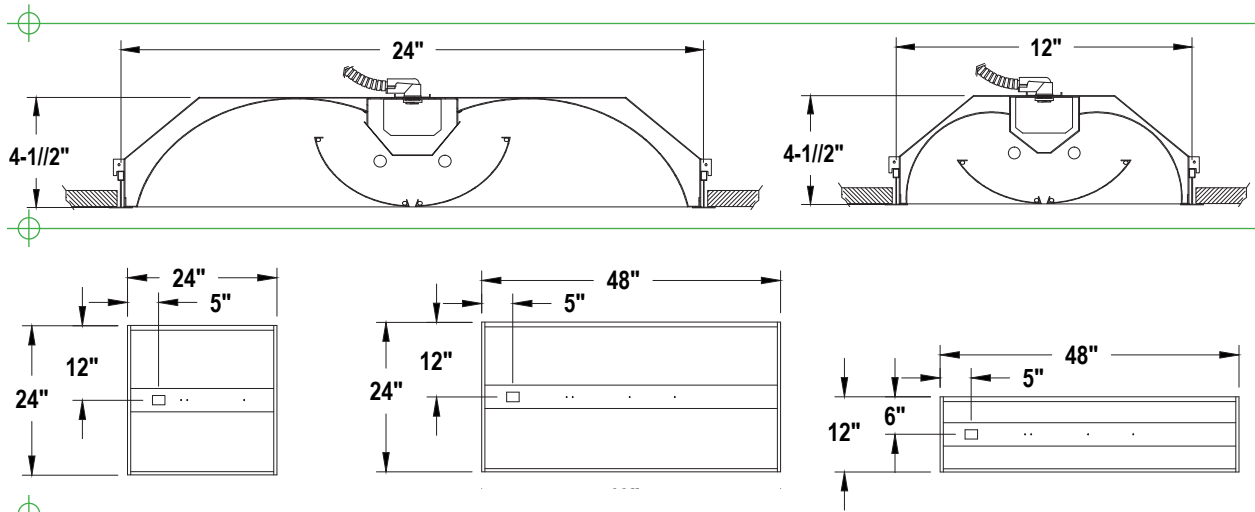
High efficiency electronic ballasts are standard. A wide range of dimming, daylight harvesting, automated building controls, occupancy controls and emergency systems can be specified to meet today's energy code requirements. Refer to Ordering Information Options.

UL required power disconnects are provided for all ballasts. All Apollo Lighting fixtures are UL Listed.

## ORDERING INFORMATION

Series	Size	Lamps	Type	Shielding	Mounting	Voltage	Options
ARIE							
ARIE	1 (1X4)	1	T8	P	G	1	F
	2 (2X2)	2	T5	Perforated Split	9/16" Grid	(120v)	Fuse
	4 (2X4)	3	T5HO	Center Basket	F	U	EM
			BIAX	See Luminous Series for additional shielding options.	Sheetrock Flange	Universal (120-277v)	Emergency Ballast
					SG	2	HR
					Slot Grid	(277v)	Heat Removal
						Dimming and Controls; see accessories.	

Type
Project



## PHOTOMETRIC REPORT ARIE-4-2T5HO

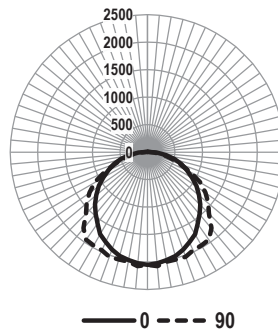
### COEFFICIENTS OF UTILIZATION ARIE-4-2T5HO

RC	80				70				50				30				10				0
RW	70	50	30	10	70	50	30	10	50	30	10	50	30	10	50	30	10	50	30	10	0
0	.77	.77	.77	.77	.76	.76	.76	.76	.72	.72	.72	.69	.69	.69	.66	.66	.66	.66	.66	.66	.65
1	.70	.67	.64	.62	.69	.66	.63	.61	.63	.61	.59	.60	.59	.57	.58	.57	.55	.54			
2	.64	.58	.54	.50	.62	.57	.53	.49	.55	.51	.48	.53	.50	.47	.51	.48	.46	.44			
3	.58	.51	.45	.41	.56	.50	.45	.41	.48	.44	.40	.46	.42	.39	.44	.41	.39	.37			
4	.53	.45	.39	.35	.51	.44	.39	.34	.42	.38	.34	.41	.37	.33	.39	.36	.33	.31			
5	.49	.40	.34	.30	.47	.39	.34	.29	.38	.33	.29	.37	.32	.29	.35	.31	.28	.27			
6	.45	.36	.30	.26	.44	.35	.30	.26	.34	.29	.25	.33	.28	.25	.32	.28	.25	.23			
7	.41	.32	.27	.23	.40	.32	.26	.22	.31	.26	.22	.30	.25	.22	.29	.25	.22	.21			
8	.39	.30	.24	.20	.38	.29	.24	.20	.28	.23	.20	.27	.23	.20	.27	.23	.20	.18			
9	.36	.27	.22	.18	.35	.27	.21	.18	.26	.21	.18	.25	.21	.18	.25	.21	.18	.16			
10	.34	.25	.20	.16	.33	.25	.20	.16	.24	.19	.16	.23	.19	.16	.23	.19	.16	.15			

### ZONAL LUMEN SUMMARY

Spacing Criteria 0-180:	1.26		
Spacing Criteria 90-270:	1.44		
ZONE	LUMENS	% LAMP	% FIXT
0-30	1634.49	16.3%	25.1%
0-40	2744.70	27.4%	42.2%
0-60	5011.53	50.1%	77.1%
0-90	6504.11	65.0%	100.0%
90-120	0.00	0.0%	0.0%
90-130	0.00	0.0%	0.0%
90-150	0.00	0.0%	0.0%
90-180	0.00	0.0%	0.0%
0-180	6504.11	65.0%	100.0%
<b>Total Luminaire Efficiency = 65.00%</b>			

### POLAR GRAPH ARIE-4-2T5HO



**Note:** Apollo Lighting reserves the right to make any design change for continuous improvement which will not change the overall appearance or decrease performance. All ceilings are to be adequately reinforced by others. All fixtures are to be wired by a licensed electrician only. The information contained herein is the sole property of Apollo Lighting and may not be used without prior written consent.



**APOLLO LIGHTING** creative lighting solutions since 1950  
 212 S. 12th Avenue • Mount Vernon, NY 10550  
 1-866-300-1294 • Phone: 914.664.3600 • Fax: 914.664.6091  
 info@apollolighting.net • www.apollolighting.net

