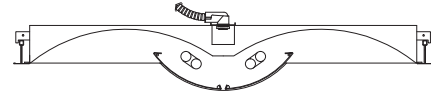


Type
Project



ARID



## APPLICATIONS

The Architectural Recessed Series ARID fixture is designed for open architecture and individual work areas as an energy efficient general illumination luminaire with a VCP of 83%. The low profile body features a perforated diffuser suspended below the ceiling plane that delivers soft even light across the ceiling. Open office applications can average 1.0 watts per square foot with selected lamping and diffuser options. A high efficiency version of this fixture, the ARID is available in the Apollo Lighting Luminous Series.

## CONSTRUCTION

Precision formed 20 gauge CRS body. The rigid body design is compatible with all suspended ceiling systems. The upper panels are high transmission opal standard and other options are available; see Accessories Section.

## FINISH

The ARID Series standard paint finish is a polyester powder coat is applied after a five stage rust inhibitive process. Matte white is the standard color with a reflectivity of 90%. For optional colors or materials please see Accessories Section or Apollo Lighting's Luminous Series.

All steel parts are covered by Apollo Lighting's 10 Year Limited Warranty. Refer to Warranty Section for details.

## ELECTRICAL

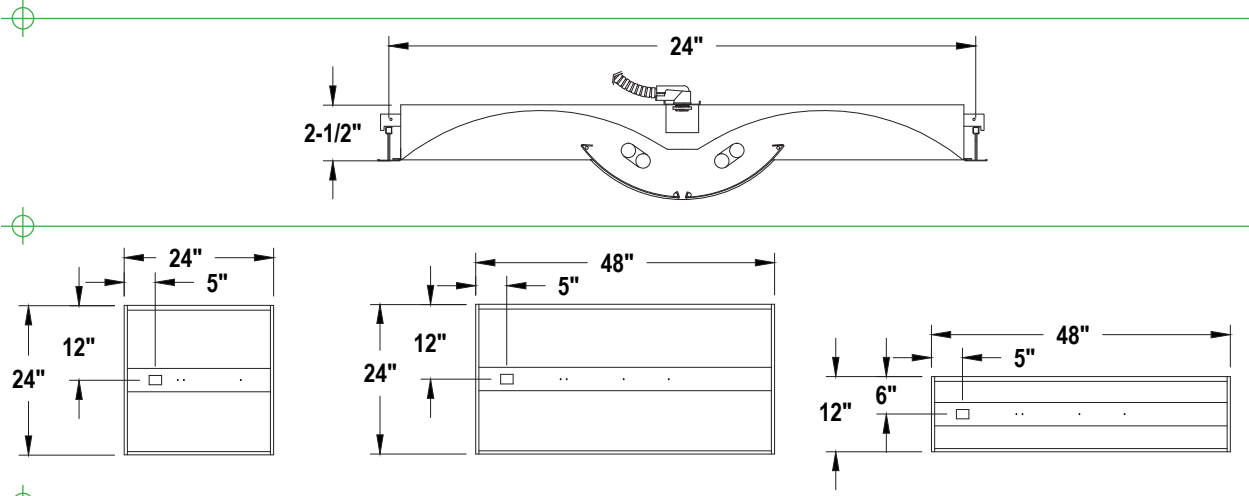
High efficiency electronic ballasts are standard. A wide range of dimming, daylight harvesting, automated building controls, occupancy controls and emergency systems can be specified to meet today's energy code requirements. Refer to Ordering Information Options.

UL required power disconnects are provided for all ballasts. All Apollo Lighting fixtures are UL Listed.

## ORDERING INFORMATION

Series	Size	Lamps	Type	Shielding	Mounting	Voltage	Options
ARID							
ARID	1 (1X4) 2 (2X2) 4 (2X4)	2 4	T8 T5 T5HO BIAX	P Perforated Split Basket  See Luminous Series for additional shielding options.	G 9/16" Grid F Sheetrock Flange SG Slot Grid	1 (120v) U Universal (120-277v) 2 (277v) Dimming and Controls; see accessories.	F Fuse EM Emergency Ballast HR Heat Removal

Type
Project



## PHOTOMETRIC REPORT ARID-4-2T5HO

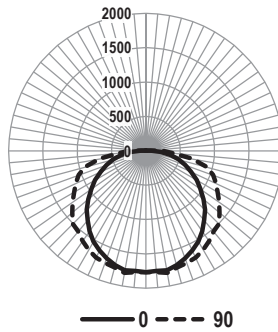
### COEFFICIENTS OF UTILIZATION

RC	80				70				50				30				10				0
RW	70	50	30	10	70	50	30	10	50	30	10	50	30	10	50	30	10	50	30	10	0
0	.78	.78	.78	.78	.76	.76	.76	.76	.72	.72	.72	.69	.69	.69	.66	.66	.66	.66	.66	.66	.65
1	.69	.65	.62	.59	.67	.64	.61	.58	.61	.58	.56	.58	.56	.54	.56	.54	.53	.51	.51	.51	.51
2	.62	.56	.51	.46	.60	.55	.50	.46	.52	.48	.45	.50	.47	.44	.48	.45	.43	.41	.41	.41	.41
3	.56	.48	.42	.38	.54	.47	.42	.37	.45	.40	.37	.43	.39	.36	.42	.38	.35	.34	.34	.34	.34
4	.51	.42	.36	.31	.49	.42	.36	.31	.40	.35	.31	.38	.34	.30	.37	.33	.30	.28	.28	.28	.28
5	.47	.38	.31	.27	.45	.37	.31	.26	.35	.30	.26	.34	.29	.26	.33	.29	.25	.24	.24	.24	.24
6	.43	.34	.27	.23	.42	.33	.27	.23	.32	.27	.23	.31	.26	.22	.30	.25	.22	.21	.21	.21	.21
7	.40	.30	.24	.20	.39	.30	.24	.20	.29	.24	.20	.28	.23	.20	.27	.23	.20	.18	.18	.18	.18
8	.37	.28	.22	.18	.36	.27	.22	.18	.26	.21	.18	.26	.21	.18	.25	.21	.17	.16	.16	.16	.16
9	.35	.25	.20	.16	.34	.25	.20	.16	.24	.19	.16	.23	.19	.16	.23	.19	.16	.14	.14	.14	.14
10	.32	.23	.18	.14	.32	.23	.18	.14	.22	.18	.14	.22	.17	.14	.21	.17	.14	.13	.13	.13	.13

### ZONAL LUMEN SUMMARY

Spacing Criteria 0-180:	1.28		
Spacing Criteria 90-270:	1.40		
ZONE	LUMENS	% LAMP	% FIXT
0-30	1427.79	14.3%	21.9%
0-40	2382.90	23.8%	36.6%
0-60	4467.42	44.7%	68.6%
0-90	6510.63	65.1%	100.0%
90-120	0.00	0.0%	0.0%
90-130	0.00	0.0%	0.0%
90-150	0.00	0.0%	0.0%
90-180	0.00	0.0%	0.0%
0-180	6510.63	65.1%	100.0%
<b>Total Luminaire Efficiency = 65.10%</b>			

### POLAR GRAPH



**Note:** Apollo Lighting reserves the right to make any design change for continuous improvement which will not change the overall appearance or decrease performance. All ceilings are to be adequately reinforced by others. All fixtures are to be wired by a licensed electrician only. The information contained herein is the sole property of Apollo Lighting and may not be used without prior written consent.



**APOLLO LIGHTING** creative lighting solutions since 1950  
 212 S. 12th Avenue • Mount Vernon, NY 10550  
 1-866-300-1294 • Phone: 914.664.3600 • Fax: 914.664.6091  
 info@apollolighting.net • www.apollolighting.net

