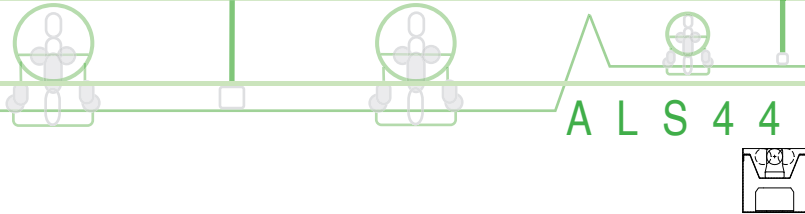


Type
Project



APPLICATIONS

The ALS44i Linear Series is a versatile, low profile luminaire for use in suspended and wall mount applications. The interior reflector system can be fine tuned to deliver maximum foot candles in a variety of applications. Series ALS44i is available in direct, indirect and direct/semi-direct versions with symmetric and asymmetric distribution with T5, T8, LED and MR16 lamping options. The T5 version of the luminaire delivers a high VCP and low watts per square feet. Office applications typically yield 1.0 watts per square foot or less.

CONSTRUCTION

Precision die formed 20 gauge CRS. The integral alignment system provides easy installation for continuous row applications. Aircraft cable or stem mountings are standard and adapt to all ceiling systems and are field adjustable without tools.

FINISH

The ALS44i series standard paint finish is a polyester powder coat applied after a five stage rust inhibitive process. Matte White is standard. Refer to Options Section for special paint options.

All steel parts are covered by Apollo Lighting's 10 Year Limited Warranty. Refer to Warranty Section for details.

ELECTRICAL

High efficiency electronic ballasts are standard. A wide range of dimming, daylight harvesting, automated building control, occupancy control and emergency systems can be specified to meet today's energy code requirements. Refer to Ordering Information Options.

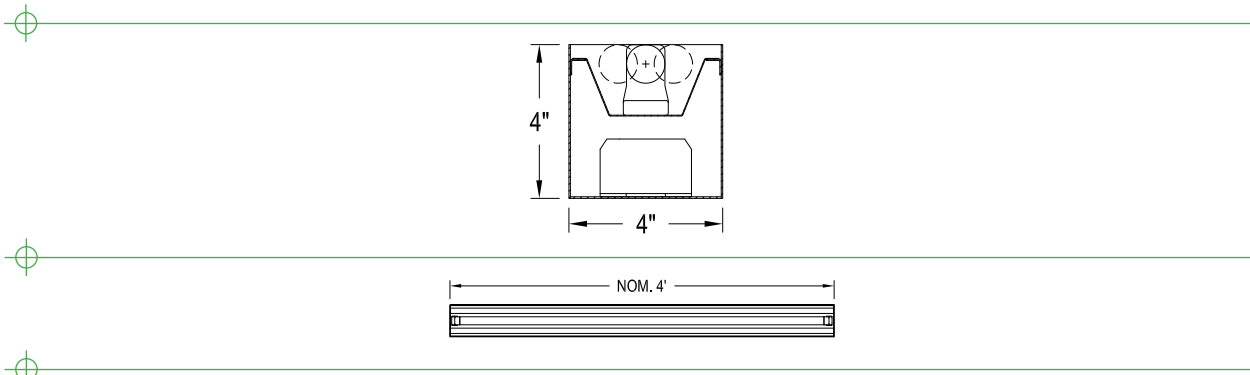
Standard quick connects for continuous row application with UL required power disconnect provided for each electronic ballast. Apollo Lighting fixtures are UL Listed.



ORDERING INFORMATION

Series	Size	Lamps	Type	Shielding	Finish	Voltage	Options
ALS44i							
ALS44i	4 (48")	1	T5	N	W	1	F
	8 (96")	2	T5HO	Open	White	(120v)	Fuse
	12 (144")		T8	OL	B	U	EM
				Opal Lens	Black	Universal	Emergency Ballast
				PL	CC	(120-277v)	ST
				Prismatic Lens	Custom Colors	2	18" Stem Mounting
						(277v)	AC
						Dimming and	18" Aircraft Cable
						Controls	WM
						See Accessories	Wall Mount
							ASY
							Asymmetric Reflector

Type
Project



PHOTOMETRIC REPORT ALS44i-4-2T5HO

COEFFICIENTS OF UTILIZATION

RC	80				70				50				30				10				0
RW	70	50	30	10	70	50	30	10	50	30	10	50	30	10	50	30	10	50	30	10	0
0	.82	.82	.82	.82	.70	.70	.70	.70	.48	.48	.48	.27	.27	.27	.09	.09	.09	.09	.09	.09	.00
1	.75	.71	.68	.65	.64	.61	.58	.00	.42	.40	.39	.24	.23	.23	.08	.07	.07	.07	.07	.07	.00
2	.68	.62	.57	.53	.58	.53	.49	.00	.36	.34	.32	.21	.20	.19	.07	.06	.06	.06	.06	.06	.00
3	.62	.54	.49	.44	.52	.47	.42	.00	.32	.29	.27	.18	.17	.16	.06	.06	.05	.05	.05	.05	.00
4	.56	.48	.42	.37	.48	.41	.36	.00	.28	.25	.23	.16	.15	.13	.05	.05	.04	.04	.04	.04	.00
5	.51	.42	.36	.31	.44	.36	.31	.00	.25	.22	.19	.15	.13	.11	.05	.04	.04	.04	.04	.04	.00
6	.47	.38	.31	.27	.40	.32	.27	.00	.22	.19	.17	.13	.11	.10	.04	.04	.03	.03	.03	.03	.00
7	.43	.34	.28	.23	.37	.29	.24	.00	.20	.17	.14	.12	.10	.09	.04	.03	.03	.03	.03	.03	.00
8	.40	.30	.24	.20	.34	.26	.21	.00	.18	.15	.12	.11	.09	.07	.03	.03	.02	.02	.02	.02	.00
9	.37	.27	.22	.18	.32	.24	.19	.00	.16	.13	.11	.10	.08	.07	.03	.03	.02	.02	.02	.02	.00
10	.34	.25	.19	.16	.29	.22	.17	.00	.15	.12	.10	.09	.07	.06	.03	.02	.02	.02	.02	.02	.00

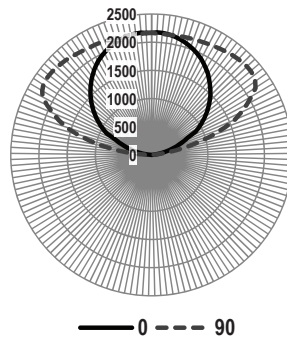
ZONAL LUMEN SUMMARY

Spacing Criteria 0-180: N.A.
Spacing Criteria 90-270: N.A.

ZONE	LUMENS	% LAMP	% FIXT
0-30	0.00	0.0%	0.0%
0-40	0.00	0.0%	0.0%
0-60	0.00	0.0%	0.0%
0-90	0.00	0.0%	0.0%
90-120	0.00	0.0%	0.0%
90-180	8602.90	86.0%	100.0%
0-180	8602.90	86.0%	100.0%

Total Luminaire Efficiency = 86%

POLAR GRAPH



Note: Apollo Lighting reserves the right to make any design change for continuous improvement which will not change the overall appearance or decrease performance. All ceilings are to be adequately reinforced by others. All fixtures are to be wired by a licensed electrician only. The information contained herein is the sole property of Apollo Lighting and may not be used without prior written consent.



APOLLO LIGHTING creative lighting solutions since 1950
 212 S. 12th Avenue • Mount Vernon, NY 10550
 1-866-300-1294 • Phone: 914.664.3600 • Fax: 914.664.6091
 info@apollolighting.net • www.apollolighting.net

