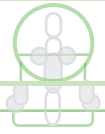


Type
Project



ALS311



Now available in LED!

APPLICATIONS

The Architectural Linear Series ALS311 is designed to suspend in an interior space and delivers both task lighting and cost effective general illumination in one luminaire. The low profile body is suspended by aircraft cables and delivers high VCP and low watt consumption per square feet. Office applications typically yield 1.0 watts per square feet or less. The average luminaire efficiency is 76% and selected lamp and distribution options provide up to 90%.

CONSTRUCTION

Precision die formed 18 gauge CRS with solid endcaps. The integral alignment system provides easy installation for continuous row applications. Aircraft cable or stem mountings are standard and adapt to all ceiling systems and are field adjustable without tools.

FINISH

The standard paint for the ALS311 series is a polyester powder coat applied after a five stage rust inhibitive process. Matte White is standard; refer to Options Section for additional colors.

All steel parts are covered by Apollo Lighting's 10 Year Limited Warranty. Refer to Warranty section for details.

ELECTRICAL

High efficiency electronic ballasts are standard. A wide range of dimming, daylight harvesting, automated building controls, occupancy controls and emergency systems can be specified to meet today's energy code requirements. Refer to Ordering Information options.

Continuous row applications are supplied with quick-connects between fixtures and all ballasts have UL required quick disconnects. All Apollo Lighting fixtures are UL Listed.

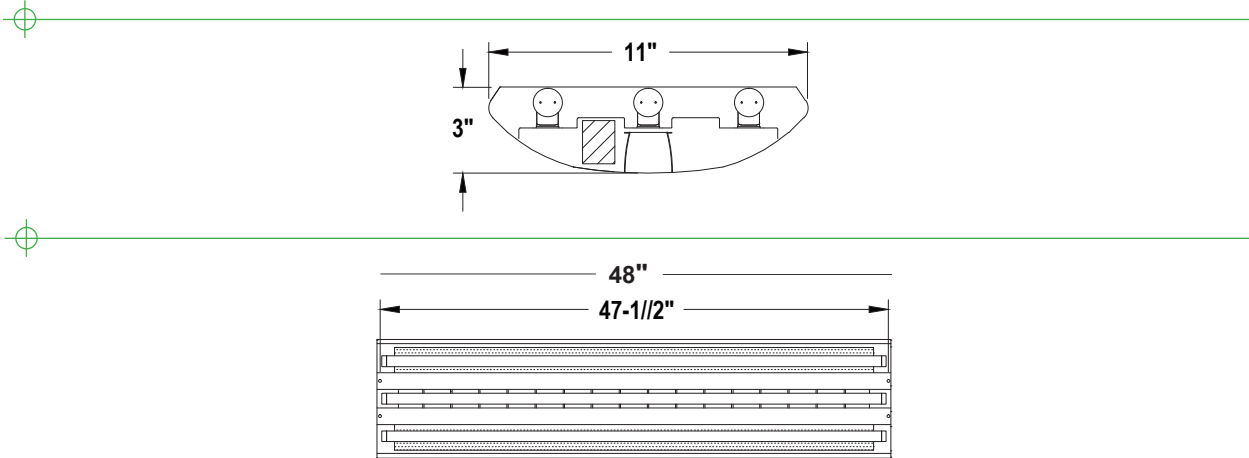
ORDERING INFORMATION

Series	Size	Lamps	Type	Shielding	Finish	Voltage	Options
ALS311							
ALS311	4 (48")	1	T5	N	W	1	F
	8 (96")	2	T5HO	None	White	(120v)	Fuse
	12 (144")	3	T8	PB	B	U	EM
	CR	3W		Parabolic Louver	Black	Universal	Emergency
	Continuous	Wide Distribution		PS	CC	(120-277v)	Ballast
	Run	2/1		Perforated Sides	Custom Colors	2	ST
		Center lamp		Opal Overlay		(277v)	18" Stem Mount
		100% Direct		SL		Dimming and	AC
				Slotted Sides		Sensors; see	18" Aircraft Cable
				Opal Overlay		Accessories.	WM
				BB			Wall Mount
				Bold Baffle			

Now available in LED!

ALS311

Type
Project



PHOTOMETRIC REPORT ALS311-4-3T5HO

COEFFICIENTS OF UTILIZATION

RC	80			70			50			30			10			0		
RW	70	50	30	10	70	50	30	10	50	30	10	50	30	10	50	30	10	0
0	.76	.76	.76	.76	.67	.67	.67	.67	.49	.49	.49	.34	.34	.34	.19	.19	.19	.12
1	.69	.66	.63	.61	.61	.58	.56	.54	.43	.42	.40	.30	.29	.28	.17	.17	.16	.10
2	.63	.58	.54	.50	.55	.51	.47	.44	.38	.36	.34	.26	.25	.24	.15	.14	.14	.09
3	.58	.51	.46	.42	.50	.45	.41	.37	.34	.31	.28	.23	.21	.20	.14	.13	.12	.08
4	.53	.45	.39	.35	.46	.40	.35	.31	.30	.27	.24	.21	.19	.17	.12	.11	.10	.07
5	.48	.40	.34	.30	.42	.35	.31	.27	.27	.23	.21	.19	.17	.15	.11	.10	.09	.06
6	.44	.36	.30	.26	.39	.32	.27	.23	.24	.21	.18	.17	.15	.13	.10	.09	.08	.05
7	.41	.32	.27	.23	.36	.29	.24	.20	.22	.18	.16	.15	.13	.12	.09	.08	.07	.05
8	.38	.29	.24	.20	.33	.26	.21	.18	.20	.16	.14	.14	.12	.10	.08	.07	.07	.04
9	.35	.27	.21	.18	.31	.24	.19	.16	.18	.15	.12	.13	.11	.09	.08	.07	.06	.04
10	.33	.24	.19	.16	.29	.22	.17	.14	.17	.13	.11	.12	.10	.08	.07	.06	.05	.04

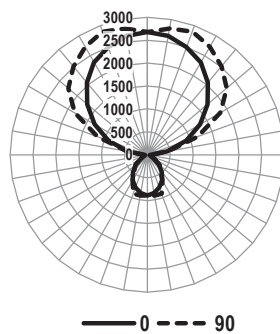
ZONAL LUMEN SUMMARY

Spacing Criteria 0-180: N.A.
Spacing Criteria 90-270: N.A.

ZONE	LUMENS	% LAMP	% FIXT
0-30	676.67	4.5%	5.9%
0-40	1041.45	6.9%	9.0%
0-60	1570.56	10.5%	13.6%
0-90	1842.83	12.3%	16.0%
90-120	2508.63	16.7%	21.8%
90-130	4166.44	27.8%	36.2%
90-150	7420.07	49.5%	64.4%
90-180	9674.99	64.5%	84.0%
0-180	11517.82	76.8%	100.0%

Total Luminaire Efficiency = 76.80%

POLAR GRAPH



Note: Apollo Lighting reserves the right to make any design change for continuous improvement which will not change the overall appearance or decrease performance. All ceilings are to be adequately reinforced by others. All fixtures are to be wired by a licensed electrician only. The information contained herein is the sole property of Apollo Lighting and may not be used without prior written consent.



APOLLO LIGHTING creative lighting solutions since 1950
 212 S. 12th Avenue • Mount Vernon, NY 10550
 1-866-300-1294 • Phone: 914.664.3600 • Fax: 914.664.6091
 info@apollolighting.net • www.apollolighting.net



Now available in LED!