

## SML RECESSED LED SERIES 1X4

**SUBMITTAL:**

**JOB:**

**TYPE:**

**VOLTAGE:**

### SML SERIES

#### FEATURES

- Architectural design delivers uniform distribution.
- High Visual Comfort allows multiple applications for commercial lighting.
- LM 79/LM 80 approved DLC approved.
- Minimum 83 CRI.
- Polycarbonate body frame construction prevents damage in shipping and installation.
- Emergency Battery back up option.
- Standard 3500K, 4000K and 5000K.
- LED Package
- Replaceable LED panels.
- 0-10 volt Dimming control systems compatible.
- 40,000 hours warranty on LED Driver, 80,000 hours on LED panels.
- Light weight 6 pounds total.

#### ORDERING INFORMATION

SERIES	CEILING TYPE	SIZE	LED PACKAGE	DIFFUSER	OPTIONS	D-DRIVER	VOLTAGE
SF							
SML	G	14	3445 lumens	A Architectural Frosted White	EM LED Driver 1300 lumens EQ Earthquake clips (2) per fixture	SE3- Non dimming 3 SED- Dimming 0-10v prewired for controls	120/277



1x4 LED



SML 1X4

#### SPECIFICATIONS

**Fixture housing** – UL Listed 100% virgin acrylic with polycarbonate frame 14 gauge extruded aluminum cross struts for rigidity and LED heat control.

**Diffuser** – Frosted acrylic with 90% transmittal of light.

**Finish** – 90% reflective white acrylic plastic interior reflector. Exterior fixture parts 100 % acrylic Architectural Matte White. Patented **Savenergy** luminaire system warrants fixture and parts for 10 years. ( Refer to Limited Warranty) Light Engine LED Driver warranted for 5 years.

**LED Module** – Patented LED Module by **Savenergy** Lighting using LED Diodes by CREE.

**Electrical** – Constant current, Class 2 driver. Micro High Tech, LTD.

**Mounting** – NEMA Type “G” suspended T grid system. (see options for other ceiling applications)

**Certifications** – UL STD 1598 and UL STD 8750 Certified to TUV-NRTL Standards. Suitable for Damp Locations. LM79 and LM 80 approved and DLC Certified.

**Warranty** – 10 Years on LED panels, 5 Years on LED Driver.



# SML RECESSED LED SERIES 1X4



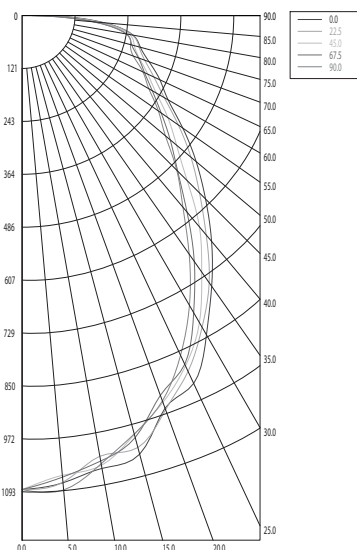
## PHOTOMETRY-1x4

Catalog #SML-6-14-3445-A

### TEST REPORT INFORMATION

- Report #E03010009
- Date 08/20/12
- Lamp: Samsun 2323
- Rated Lumens: 3445**
- Watts: 34**
- Lumens per watt: 102**
- CRI: 83**
- CCT: 4100K**
- Lens: P95 frosted white**

### Polar Candela Distribution



### Candela Table – Type C

	0	22.5	45	67.5	90
0	<b>1088</b>	<b>1088</b>	<b>1088</b>	<b>1088</b>	<b>1088</b>
5	1077	1075	1059	1063	1093
10	1055	1027	1048	1038	1045
15	1042	1026	995	1003	994
20	959	963	945	928	941
25	932	901	887	883	860
30	846	826	814	788	768
35	759	749	719	689	669
40	677	657	633	589	574
45	595	576	536	505	502
50	522	506	463	444	429
55	450	438	408	390	382
60	387	377	355	345	336
65	349	334	318	310	306
70	310	300	286	284	272
75	281	278	266	260	257
80	259	257	250	243	243
85	190	187	178	167	165
90	63	49	32	24	0

**1x4 LED**

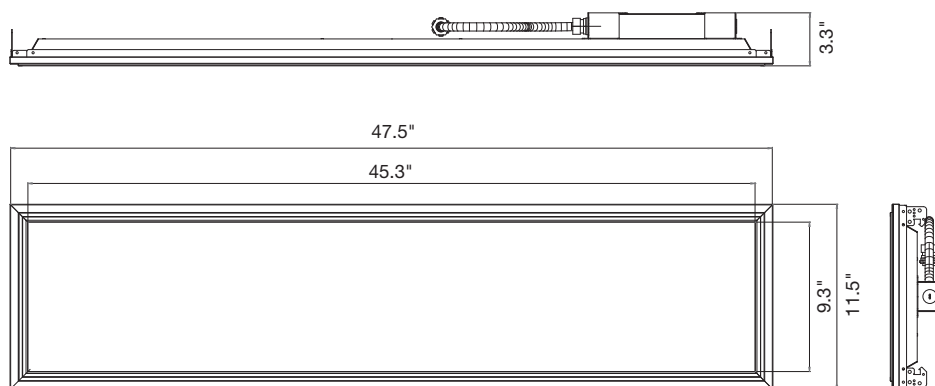
### Zonal Lumen Summary

Zone	Lumens	%Lamp	%Luminaire
0-30	790.8	22.1%	28.2%
0-40	1,238.8	34.6	44.1
0-60	2,029.6	56.6	72.3
60-90	779.4	21.7	27.7
70-100	458.7	12.8	16.3
90-120	0	0	0
0-90	2,809.0	78.4%	100%
90-180	0	0	0
0-180	2,809.0	78.4	100

### Lumens Per Zone

Zone	Lumens	%Total	Zone
0-10	101.1	3.6%	90-100
10-20	282.4	10.1	100-110
20-30	407.2	14.5	110-120
30-40	448.0	15.9	120-130
40-50	420.3	15.0	130-140
50-60	370.6	13.2	140-150
60-70	320.7	11.4	150-160
70-80	284.8	10.1	160-170
80-90	173.9	6.2	170-180

## DIMENSIONAL DIAGRAM



## HIGH EFFICIENCY LED HIGH BAY – HB3555-60

**SUBMITTAL:**

**JOB:**

**TYPE:**

**VOLTAGE:**

### HB SERIES

#### FEATURES

- Compact design allows excellent space to mounting ratios.
- LM79/80 and DLC approved.
- Architectural body design with extruded door frame.
- Minimum 80 CRI
- Available in 60 watts and 125 watts.
- Dimming options available.
- Industry leading Warranty 40,000 hours on Driver and 80,000 hours on LED.
- Suspended grid mount or suspended mount
- Light weight 17.2 pounds total.

#### ORDERING INFORMATION

SERIES	WATTAGE	COLOR TEMPERATURE
HB		
HB	60 (60W)	40 (4000K) 50 (5000K)



#### High Bay LED



HB3555-60

#### SPECIFICATIONS

**Housing** – Extruded aluminum door frame with 18 gauge CRS frame to support pendant mounting.

**Shielding** – .130 Acrylic lens, pattern # 12 standard with P95 frosted white available as an option.

**LED Module** – Samsung LED #2323.

**Electrical** – Constant current, Class 2 Driver by Micro High Tech

**Certifications** – UL STD 1598, ULSTD 8750, TUV-NRTL Standards, Damp Location, LM 79/80, DLC approved.

**Warranty** – 10 years limited on LED's, 5 years limited on LED Driver. See website for complete warranty information.



# HIGH EFFICIENCY LED HIGH BAY – HB3555-60



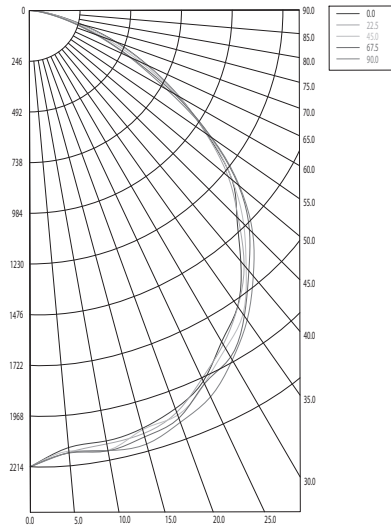
## PHOTOMETRY-HB3555-60

Catalog #HB 60

### TEST REPORT INFORMATION

- Report #E03010009
- Date 03/11/13
- Lamp Type: Point
- Rated Lumens: 6,200 lm**
- Watts: 60W**
- Lumens per watt: 103+**
- CRI: 80+**

### Polar Candela Distribution



### Candela Table – Type C

	0	22.5	45	67.5	90
0	2214	2214	2214	2214	2214
5	2129	2152	2146	2155	2154
10	2122	2136	2169	2171	2169
15	2100	2126	2106	2143	2179
20	2058	2077	2092	2107	2128
25	1987	1973	2000	2000	2070
30	1858	1873	1896	1945	1961
35	1756	1757	1801	1812	1836
40	1591	1616	1632	1652	1685
45	1420	1430	1467	1506	1529
50	1281	1257	1282	1321	1328
55	1052	1045	1065	1075	1077
60	839	840	824	811	770
65	635	631	597	548	534
70	447	435	388	355	344
75	267	257	222	201	197
80	131	127	111	98	90
85	55	51	42	37	33
90	18	19	14	10	0

**High Bay LED**

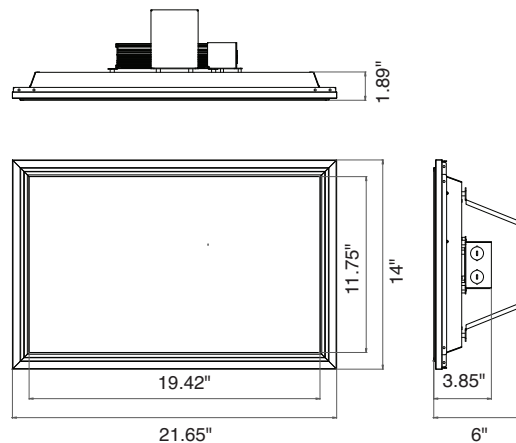
### Zonal Lumen Summary

Zone	Lumens	%Lamp	%Luminaire
0-30	1,729.9	26.7%	29.7%
0-40	2,844.6	43.9	48.9
0-60	4,920.9	75.9	84.5
60-90	900.9	13.9	15.5
70-100	310.3	4.8	5.3
90-120	0	0	0
0-90	5,821.9	89.8%	100%
90-180	0	0	0
0-180	5,821.9	89.8	100

### Lumens Per Zone

Zone	Lumens	%Total	Zone
0-10	205.8	3.5%	90-100
10-20	601.6	10.3	100-110
20-30	922.5	15.8	110-120
30-40	1,114.8	19.1	120-130
40-50	1,131.0	19.4	130-140
50-60	945.3	16.2	140-150
60-70	590.6	10.1	150-160
70-80	252.8	4.3	160-170
80-90	57.6	1.0	170-180

## DIMENSIONAL DIAGRAM



## HIGH EFFICIENCY LED HIGH BAY – HB3555-125

SUBMITTAL:

JOB:

TYPE:

VOLTAGE:

### HB SERIES

#### FEATURES

- Compact design allows excellent space to mounting ratios.
- LM79/80 and DLC approved.
- Architectural body design with extruded door frame.
- Minimum 80 CRI
- Available in 60 watts and 125 watts.
- Dimming options available.
- Industry leading Warranty 40,000 hours on Driver and 80,000 hours on LED.
- Suspended grid mount or suspended mount
- Light weight 17.2 pounds total.

#### ORDERING INFORMATION

SERIES	WATTAGE	COLOR TEMPERATURE
HB		
HB	125 (125W)	35 (3500K) 40 (4000K) 50 (5000K)



#### High Bay LED



HB3555-125

#### SPECIFICATIONS

**Housing** – Extruded aluminum door frame with 18 gauge CRS frame to support pendant mounting.

**Shielding** – .130 Acrylic lens, pattern # 12 standard with P95 frosted white available as an option.

**LED Module** – Samsung LED #2323.

**Electrical** – Constant current, Class 2 Driver by Micro High Tech

**Certifications** – UL STD 1598, ULSTD 8750, TUV-NRTL Standards, Damp Location, LM 79/80, DLC approved.

**Warranty** – 10 years limited on LED's, 5 years limited on LED Driver. See website for complete warranty information.



# HIGH EFFICIENCY LED HIGH BAY – HB3555-125

## PHOTOMETRY-HB3555-125

Catalog #SPMWHT221MD5WAT0S0

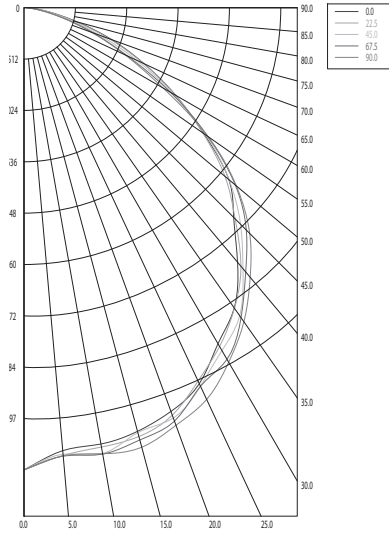


**High Bay LED**

### TEST REPORT INFORMATION

- Report #E03010009
- Date 03/11/13
- Lamp Type: Point
- Rated Lumens: 6,200 lm**
- Watts: 60W**
- Lumens per watt: 103+**
- CRI: 80+**

### Polar Candela Distribution



### Candela Table – Type C

	0	22.5	45	67.5	90
0	4609	4609	4609	4609	4609
5	4433	4481	4468	4487	4486
10	4417	4448	4515	4519	4516
15	4373	4426	4385	4461	4537
20	4284	4323	4354	4387	4430
25	4136	4107	4163	4164	4310
30	3868	3900	3947	4048	4082
35	3656	3658	3750	3773	3823
40	3313	3365	3397	3439	3508
45	2957	2977	3053	3135	3183
50	2668	2617	2670	2751	2765
55	2190	2176	2217	2239	2243
60	1747	1749	1717	1688	1603
65	1322	1314	1243	1141	1112
70	930	905	807	739	715
75	555	535	462	419	410
80	273	264	231	204	188
85	115	105	88	77	70
90	38	40	28	20	0

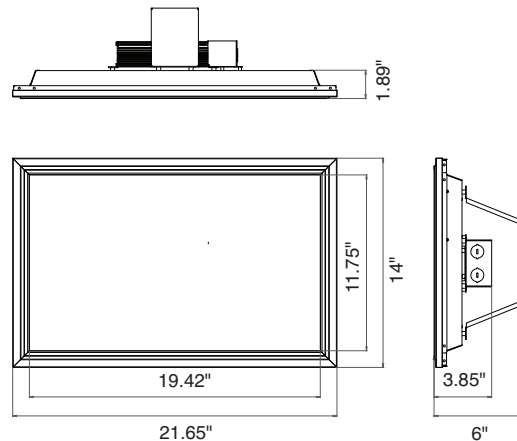
### Zonal Lumen Summary

Zone	Lumens	%Lamp	%Luminaire
0-30	3,601.4	27.8%	29.7%
0-40	5,922.3	45.7	48.9
0-60	10,245.0	79.1	84.5
60-90	1,875.7	14.5	15.5
70-100	646.1	5	5.3
90-120	0	0	0
0-90	12,120.7	93.5%	100%
90-180	0	0	0
0-180	12,120.7	93.5	100

### Lumens Per Zone

Zone	Lumens	%Total	Zone
0-10	428.4	3.5%	90-100
10-20	1,252.5	10.3	100-110
20-30	1,920.5	15.8	110-120
30-40	2,320.9	19.1	120-130
40-50	2,354.7	19.4	130-140
50-60	1,968.0	16.2	140-150
60-70	1,229.6	10.1	150-160
70-80	526.3	4.3	160-170
80-90	119.8	1.0	170-180

## DIMENSIONAL DIAGRAM





<b>SD-6</b>	
<b>SUBMITTAL:</b>	
<b>JOB:</b>	
<b>TYPE:</b>	<b>VOLTAGE:</b>

### SD SERIES

#### FEATURES

- Architectural design delivers uniform distribution.
- High Visual Comfort allows multiple applications for commercial lighting.
- LM 79/LM 80 approved DLC approved.
- Minimum 83 CRI.
- Polycarbonate body frame construction prevents damage in shipping and installation.
- Emergency Battery back up option.
- Standard 3500K, 4000K and 5000K.
- LED Package
- Replaceable LED panels.
- 0-10 volt Dimming control systems compatible.
- 40,000 hours warranty on LED Driver, 80,000 hours on LED panels.
- Light weight 4.8 pounds total.

#### ORDERING INFORMATION

SERIES	CEILING TYPE	SIZE	LED PACKAGE	DIFFUSER	OPTIONS	D-DRIVER	VOLTAGE
SF							
SD6	S	6	779 lumens	A Architectural Frosted White C Clear			120/277



#### SPECIFICATIONS

**Fixture housing** – UL Listed 100% virgin acrylic with polycarbonate frame 14 gauge extruded aluminum cross struts for rigidity and LED heat control.

**Diffuser** – Frosted acrylic with 90% transmittal of light.

**Finish** – 90% reflective white acrylic plastic interior reflector. Exterior fixture parts 100 % acrylic Architectural Matte White. Patented **Savenergy** luminaire system warrants fixture and parts for 10 years. ( Refer to Limited Warranty) Light Engine LED Driver warranted for 5 years.

**LED Module** – Patented LED Module by **Savenergy** Lighting using LED Diodes by CREE.

**Electrical** – Constant current, Class 2 driver. Micro High Tech, LTD.

**Mounting** – NEMA Type “G” suspended T grid system. (see options for other ceiling applications)

**Certifications** – UL STD 1598 and UL STD 8750 Certified to TUV-NRTL Standards. Suitable for Damp Locations. LM79 and LM 80 approved and DLC Certified.

**Warranty** – 10 Years on LED panels, 5 Years on LED Driver.

ISO 9001	SAFETY CERTIFICATION TÜVRheinland	ISO 14001	Efficiency DLC Listed
-------------	-----------------------------------------	--------------	-----------------------------

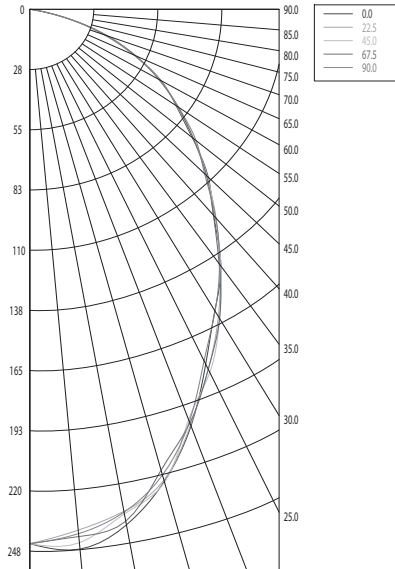
**PHOTOMETRY**

Catalog #SFG223445ASE3120/277

**TEST REPORT INFORMATION**

- Report #E10110011-1
- Date 10/12/12
- Lamp: White LED
- Rated Lumens: 779**
- Watts: 10**
- Lumens per watt: 65**
- CRI: 81**
- CCT: 3129**
- Lens: Frosted Clear**

**Polar Candela Distribution**



**Candela Table – Type C**

	0	22.5	45	67.5	90
0	245	245	245	245	245
5	248	239	245	242	241
10	240	233	234	238	234
15	224	223	224	218	221
20	203	202	200	201	201
25	179	182	183	182	178
30	159	162	163	163	160
35	143	143	144	142	142
40	123	125	124	123	125
45	109	108	108	108	106
50	91	92	92	92	93
55	77	78	77	78	78
60	65	64	65	64	65
65	50	50	50	50	49
70	34	36	34	35	36
75	19	19	19	19	19
80	5	5	5	4	4
85	1	1	1	1	1
90	0	0	0	0	0

**SD-6**

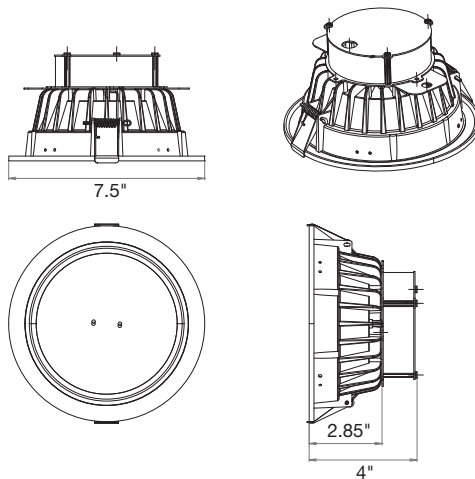
**Zonal Lumen Summary**

Zone	Lumens	%Lamp	%Luminaire
0-30	168.1	29.2%	34.9%
0-40	257.3	44.7	53.5
0-60	410.1	71.2	85.2
60-90	71.3	12.4	14.8
70-100	22.0	3.8	4.6
90-120	0	0	0%
0-90	481.4	83.6%	100%
90-180	0	0	0
0-180	481.4	83.6%	100

**Lumens Per Zone**

Zone	Lumens	%Total	Zone
0-10	22.9	4.8%	90-100
10-20	61.8	12.8	100-110
20-30	83.4	17.3	110-120
30-40	89.2	18.5	120-130
40-50	83.1	17.3	130-140
50-60	69.7	14.5	140-150
60-70	49.3	10.2	150-160
70-80	20.4	4.2	160-170
80-90	1.6	0.3	170-180

**DIMENSIONAL DIAGRAM**







SD-8	
SUBMITTAL:	
JOB:	
TYPE:	VOLTAGE:

### SD SERIES

#### FEATURES

- Architectural design delivers uniform distribution.
- High Visual Comfort allows multiple applications for commercial lighting.
- LM 79/LM 80 approved DLC approved.
- Minimum 83 CRI.
- Polycarbonate body frame construction prevents damage in shipping and installation.
- Emergency Battery back up option.
- Standard 3500K, 4000K and 5000K.
- LED Package
- Replaceable LED panels.
- 0-10 volt Dimming control systems compatible.
- 40,000 hours warranty on LED Driver, 80,000 hours on LED panels.
- Light weight 5.0 pounds total.

#### ORDERING INFORMATION

SERIES	CEILING TYPE	SIZE	LED PACKAGE	DIFFUSER	OPTIONS	D-DRIVER	VOLTAGE
SF							
SD8	G	8	1343 lumens	A Architectural Frosted White	EM LED Driver 1300 lumens	SE3- Non dimming 3 SED- Dimming 0-10v prewired for controls	120/277



#### SPECIFICATIONS

**Fixture housing** – UL Listed 100% virgin acrylic with polycarbonate frame 14 gauge extruded aluminum cross struts for rigidity and LED heat control.

**Diffuser** – Frosted acrylic with 90% transmittal of light.

**Finish** – 90% reflective white acrylic plastic interior reflector. Exterior fixture parts 100 % acrylic Architectural Matte White. Patented **Savenergy** luminaire system warrants fixture and parts for 10 years. ( Refer to Limited Warranty) Light Engine LED Driver warranted for 5 years.

**LED Module** – Patented LED Module by **Savenergy** Lighting using LED Diodes by CREE.

**Electrical** – Constant current, Class 2 driver. Micro High Tech, LTD.

**Mounting** – NEMA Type “G” suspended T grid system. (see options for other ceiling applications)

**Certifications** – UL STD 1598 and UL STD 8750 Certified to TUV-NRTL Standards. Suitable for Damp Locations. LM79 and LM 80 approved and DLC Certified.

**Warranty** – 10 Years on LED panels, 5 Years on LED Driver.



ISO 9001	SAFETY CERTIFICATION TÜVRheinland	ISO 14001	Efficiency DLC Listed
-------------	-----------------------------------------	--------------	-----------------------------

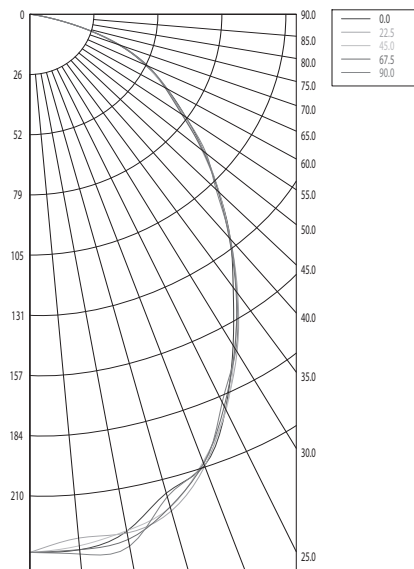
**PHOTOMETRY**

Catalog #SD8G1343ASC3120/277

**TEST REPORT INFORMATION**

- Report #E10110013-1
- Date 10-12-12
- Lamp: White LED
- Rated Lumens: 1343.3**
- Watts: 20**
- Lumens per watt: 65.3**
- CRI: 82**
- CCT: 3140**
- Lens: Frosted Clear**

**Polar Candela Distribution**



**Candela Table – Type C**

	0	22.5	45	67.5	90
0	234	234	234	234	234
5	234	229	232	234	236
10	229	229	228	232	235
15	216	224	222	222	218
20	209	210	208	208	208
25	190	190	190	188	187
30	167	170	168	168	169
35	145	149	148	147	148
40	128	128	127	127	128
45	110	110	110	109	108
50	93	93	92	92	94
55	78	76	78	76	78
60	65	65	64	64	65
65	52	53	53	54	53
70	39	40	40	39	39
75	21	22	22	22	21
80	6	6	6	6	6
85	1	1	1	1	1
90	0	0	0	0	0

**SD-8**

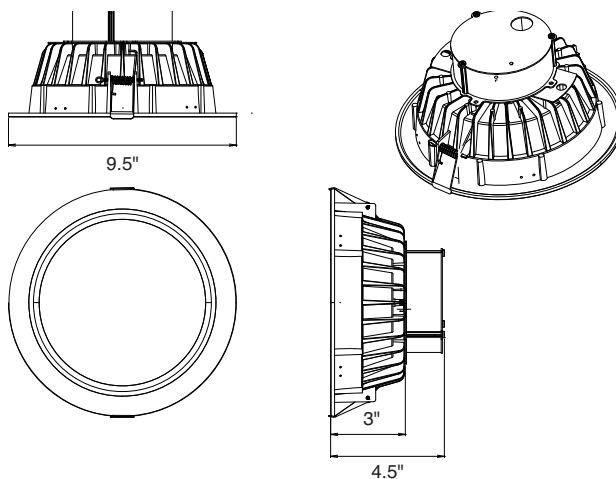
**Zonal Lumen Summary**

Zone	Lumens	%Lamp	%Luminaire
0-30	171.0	29.7%	34.6%
0-40	263.2	45.7	53.3
0-60	417.3	72.4	84.4
60-90	77.0	13.4	15.6
70-100	25.2	4.4	5.1
90-120	0	0	0%
0-90	494.3	85.8%	100%
90-180	0	0%	0%
0-180	494.3	85.8%	100

**Lumens Per Zone**

Zone	Lumens	%Total	Zone
0-10	22.1	4.5%	90-100
10-20	62.1	12.6	100-110
20-30	86.7	17.6	110-120
30-40	92.2	18.7	120-130
40-50	84.5	17.1	130-140
50-60	69.5	14.1	140-150
60-70	51.8	10.5	150-160
70-80	23.2	4.7	160-170
80-90	2.0	0.4	170-180

**DIMENSIONAL DIAGRAM**



## SML RECESSED LED SERIES 2X2

**SUBMITTAL:**

**JOB:**

**TYPE:**

**VOLTAGE:**

### SML SERIES

#### FEATURES

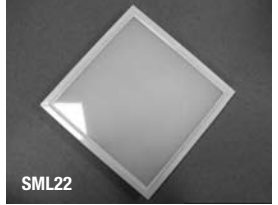
- Architectural design delivers uniform distribution.
- High Visual Comfort allows multiple applications for commercial lighting.
- LM 79/LM 80 approved DLC approved.
- Minimum 83 CRI.
- Polycarbonate body frame construction prevents damage in shipping and installation.
- Emergency Battery back up option.
- Standard 3500K, 4000K and 5000K.
- LED Package
- Replaceable LED panels.
- 0-10 volt Dimming control systems compatible.
- 40,000 hours warranty on LED Driver, 80,000 hours on LED panels.
- Light weight 6 pounds total.

#### ORDERING INFORMATION

SERIES	CEILING TYPE	SIZE	LED PACKAGE	DIFFUSER	OPTIONS	D-DRIVER	VOLTAGE
SF							
SML	G	22	3445 lumens	A Architectural Frosted White	EM LED Driver 1300 lumens EQ Earthquake clips (2) per fixture	SE3- Non dimming 3 SE4- Non dimming 4 SED- Dimming 0-10v prewired for controls	120/277



2x2 LED



#### SPECIFICATIONS

**Fixture housing** – UL Listed 100% virgin acrylic with polycarbonate frame 14 gauge extruded aluminum cross struts for rigidity and LED heat control.

**Diffuser** – Frosted acrylic with 90% transmittal of light.

**Finish** – 90% reflective white acrylic plastic interior reflector. Exterior fixture parts 100 % acrylic Architectural Matte White. Patented **Savenergy** luminaire system warrants fixture and parts for 10 years. ( Refer to Limited Warranty) Light Engine LED Driver warranted for 5 years.

**LED Module** – Patented LED Module by **Savenergy** Lighting using LED Diodes by CREE.

**Electrical** – Constant current, Class 2 driver. Micro High Tech, LTD.

**Mounting** – NEMA Type “G” suspended T grid system. (see options for other ceiling applications)

**Certifications** – UL STD 1598 and UL STD 8750 Certified to TUV-NRTL Standards. Suitable for Damp Locations. LM79 and LM 80 approved and DLC Certified.

**Warranty** – 10 Years on LED panels, 5 Years on LED Driver.



# SF RECESSED LED SERIES 2X2D SF22



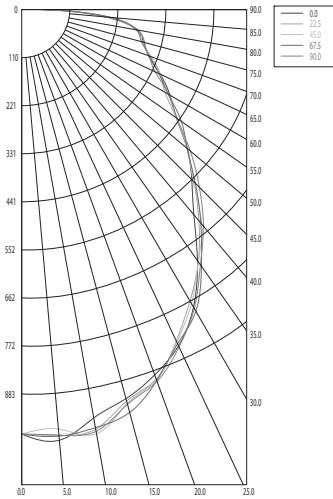
## PHOTOMETRY-2x2

Catalog #SMLG223445ASE3120/277

### TEST REPORT INFORMATION

- Report #E03010009
- Date 08/20/12
- Lamp: Samsun 2323
- Rated Lumens: 3445**
- Watts: 34**
- Lumens per watt: 102**
- CRI: 83**
- CCT: 4100K**
- Lens: P95 frosted white**

### Polar Candela Distribution



### Candela Table - Type C

	0	22.5	45	67.5	90
<b>0</b>	<b>2175</b>	<b>2175</b>	<b>2175</b>	<b>2175</b>	<b>2175</b>
5	1998	2102	1992	2022	2047
10	1969	2084	2149	2052	2119
15	2038	2038	1972	1998	2014
20	1860	1934	1949	1968	1962
25	1800	1800	1891	1911	1902
30	1740	1723	1809	1837	1826
35	1643	1631	1662	1667	1688
40	1503	1487	1529	1570	1562
45	1323	1332	1386	1423	1430
50	1203	1188	1263	1247	1279

**2x2 LED**

### Zonal Lumen Summary

Zone	Lumens	%Lamp	%Luminaire
0-30	1,624.5	16.2%	23.7%
0-40	2,662.0	26.6	38.8
0-60	4,774.6	47.7	69.7
60-90	2,079.3	20.8	30.3
70-100	1,103.4	11	16.1
90-120	0	0	0
0-90	6,853.9	68.5%	100%
90-180	0	0	0
0-180	6,853.9	68.5	100

### Lumens Per Zone

Zone	Lumens	%Total	Zone
0-10	197.0	2.9%	90-100
10-20	567.3	8.3	100-110
20-30	860.2	12.6	110-120
30-40	1,037.5	15.1	120-130
40-50	1,065.5	15.5	130-140
50-60	1,047.0	15.3	140-150
60-70	975.8	14.2	150-160
70-80	750.2	10.9	160-170
80-90	353.3	5.2	170-180

## DIMENSIONAL DIAGRAM

